



20 bar
operating pressure

1/2"
connections

1,5 to 65 °C
operating temperature range

DESCRIPTION

MCD is designed for the discharging of condensate or any other non aggressive fluid from compressed air system. For any other technical gas please contact producer or your local distributor.

In order to prevent condensate from re-entering in the airstream we recommend controlling the condensate level in filter bowl, which requires an automatic drain trap.

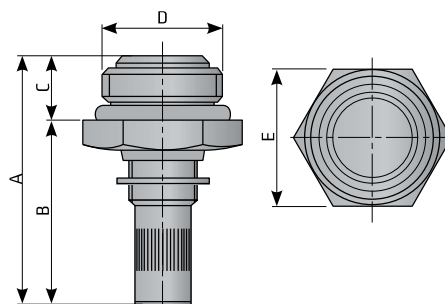
MCD is easy to install on the filter housing. MCD can be used in variety of applications.

MCD SERIES

MANUAL CONDENSATE DRAIN



TECHNICAL DATA		MCD	MCDi
Operating temp. range		1,5 - 65 °C (35-149 °F)	1,5 - 65 °C (35-149 °F)
Operating pressure		20 bar (290 psi)	20 bar (290 psi)
Mass		0,06 kg	0,06 kg
Connection		G 1/2"	G 1/2"
Dimensions	A	38,2 mm	38,2 mm
	B	29,2 mm	29,2 mm
	C	9 mm	9 mm
	D	G1/2"	G1/2"
	E	24,0 mm	24,0 mm
Medium		Condensate (air, water, oil)	Condensate (air, water, oil)
Material		brass	stainless steel



APPLICATIONS

- Air filter