

MCD B SERIES

MANUAL CONDENSATE DRAIN



16 bar
operating pressure

1/2"
connections

1,5 to 65 °C
operating temperature range

DESCRIPTION

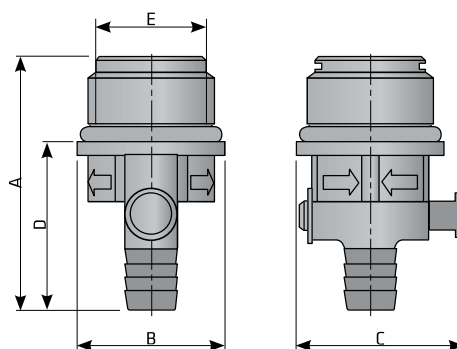
MCD B is designed for manual discharging of condensate or any other non-aggressive fluid from compressed air system. For any other technical gas please contact producer or your local distributor.

MCD B is easy to install on the filter housing. Condensate can be drained only manually.

MCD B is closed even if the system is non-pressurized.

MCD B can be used in variety of applications.

TECHNICAL DATA		MCD B
Operating temp. range		1,5 - 65 °C (35-149 °F)
Operating pressure		16 bar (232 psi)
Mass		0,011 kg
Connection		G 1/2"
Dimensions	A	41,5 mm
	B	ø24,0 mm
	C	27,5mm
	D	27,5mm
	E	G1/2"
Medium		Condensate (air, water, oil)



APPLICATIONS

- Air filter