

# **ECODRY 25/35 plus**

## Product Datasheet

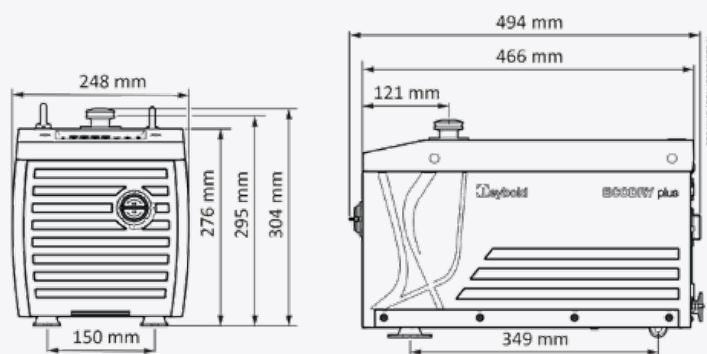
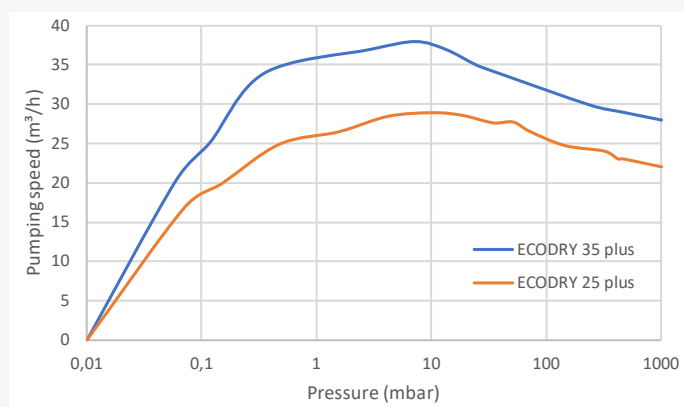
### **Key Features:**

- Small, light, easy to handle – less than 30 kg
- Short pumpdown times and low ultimate pressure of 0.01 mbar
- Easy control of pump and accessories
- Environmentally friendly with low power consumption and low noise



Technical Data	ECODRY 25 plus	ECODRY 35 plus
Peak pumping speed	25 m <sup>3</sup> /h	35 m <sup>3</sup> /h
Typical ult. pressure	0.01 mbar	
Maximum continuous inlet pressure	1013 mbar	
Maximum exhaust pressure	200 mbar (g)	
Inlet/exhaust flange	DN 25 ISO-KF	
Noise at ultimate pressure	52 dB(A)	
IP class	IP20 (IP21 until end of 2020)	
Leak tightness	< 1 x 10 <sup>-6</sup> mbar l/s	
Voltage	100-127V/200-240V (switchable) 50/60 Hz	
Power at ultimate pressure	600 W	
Weight	29 kg	
Dimensions	494 x 248 x 304 mm	
Ambient conditions	+5 to +40°C Max. 3000 m	
Part numbers	162 025 V001	162 035 V001

Accessories	
162 800 A001	Mounting kit
141 100 A01	Gas ballast blank plug
141 100 A03	Purge gas adapter (with restriction)
141 100 A02	Purge gas adapter (no restriction)
E41170206	Inlet Screen DN 25 ISO-KF
161 820 USB	DSUB9/USB Adapter for X104 interface
800110V0180	USB connection cable A/B
215065	SECUVAC DN25 KF 24V inlet valve
800103V0040	SECUVAC connection cable
161 810 EU	Mains cable EU (Schuko plug)
161 810 UK	Mains cable UK (UK-BS 1363 plug)
141 103 US	Mains cable US (115 V), NEMA 5-15 P plug
161 810 US	Mains cable US (220 V), NEMA 6-15 P plug
161 810 CN	Mains cable China/Australia, CN GB 2099 plug


**Pioneering products. Passionately applied.**

3610 0020 02 - Leybold GmbH, Germany - Nov. 2020. All rights reserved. Subject to change without notice or obligation. Read all safety instructions in the manual before usage.