

DRM 40 - 60

DRM 40 - 60 IVR



Solid, simple and smart:  
advanced reliability in  
compressed air

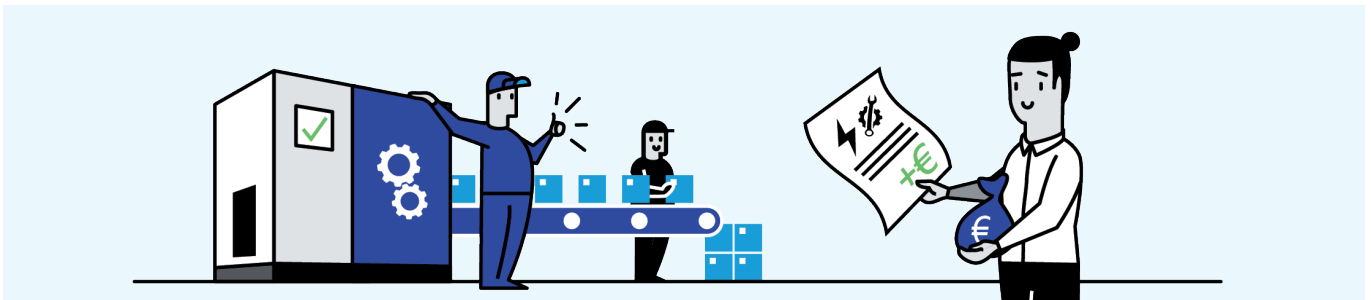
DRM 40 – 60 / DRM 40 – 60 IVR

# More value for money

With the DRM, we set out to build the better, more reliable compressor on the market. The compressor offers some major innovations that will give you a lifetime of value and savings.

## A highly reliable gear transmission

A belt-driven compressor has a higher risk of downtime and maintenance-related costs. Unscheduled belt tensioning and replacement cause productivity losses and there is always the risk of post-service belt misalignment. That is why the DRM comes with a gear drive transmission. You have no belts to replace and enjoy lower operating (service) costs. What is more, the DRM is 3% more energy efficient compared to belt-driven compressors.



## ES4000S controller for optimal performance

The new DRM comes standard equipped with an ES4000S controller that manages and monitors compressor performance. Easy to use, the ES4000S and the optional ES4000T with touch screen give you compressor updates and service alerts before they become a problem.

The integrated **ICONS** connectivity gives you the advanced benefits of remote monitoring and management:

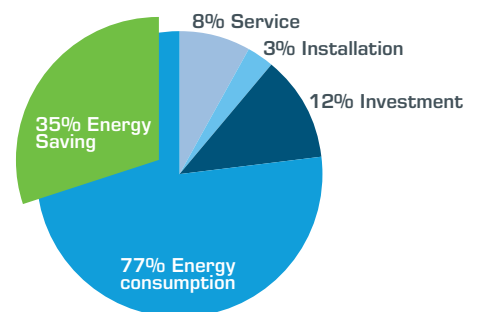
- Remote monitoring that helps you optimize your compressed air system and save energy.
- On-time maintenance to optimize costs and ensure a longer machine life.
- Potential problems are recognized before they can pose a threat to the continuity of your production.

## VSD: double digit energy savings

Is your work floor always running at 100%? A traditional compressor is, even when you don't need its full capacity. For most production environments, compressed air use fluctuates during the day or week.

That is why the DRM offers optional variable speed drive technology. A DRM

with VSD matches its air delivery to your actual need. That means it is not using – and wasting – energy when your demand for compressed air is lower. Ask your Ceccato representative to calculate how much you can save with a DRM VSD. Typically, energy savings run in the double digits!





DRM IVR +  
integrated dryer

AIRnet

Air receiver

Oil - Water  
Separator

## A total solutions offering from Ceccato

### Line Filters

Eliminate oil and dust from the compressed air to avoid the risk of contamination of your air system and final products.

### Air Receiver

Buffer storage for your compressed air helps with condensate separation, pressure stabilization and efficient compressor operation.

### Oil-Water Separator

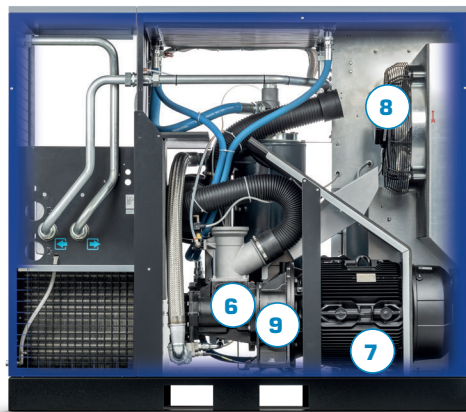
Our oil-water separator captures compressor condensate and separates the oil for safe disposal.

### AIRnet

Our easy-to-install piping system distributes your compressed air with maximum efficiency and reliability.

### Dryers

You need your compressed air to be dry and clean to protect your pneumatic tools and final products. Ceccato offers a range of reliable, high-performance dryers to meet your air quality requirements and air system specifications.



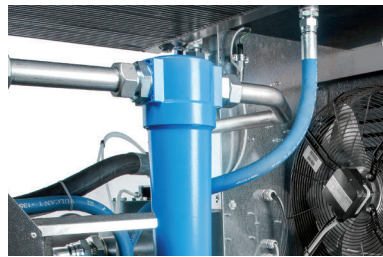
1. Pre-filter
2. Oil separator
3. Electrical cubicle
4. Converter
5. Air filter
6. Air end
7. Motor
8. Fan motor
9. Gear box
10. Dryer
11. Oil-sight glass & oil-refill
12. Oil-filter

# Optional features

## Of course, one size does not fit all.

A range of options is available to tailor your DRM to your specific requirements and production environment.

- Oil 8000h
- Coalescence filter option
- ES4000T controller
- Canopy heater
- Water separator drain + automatic drain
- Main isolator switch
- Food grade oil
- Wooden package
- ECO6i central control



# Technical specifications

## Fixed speed

Model	Max. working pressure bar	Reference working pressure bar	Motor Power		Free Air Delivery @ reference conditions			Noise Level dB(A)	Cooling Air flow m³/h	Weight	
			kw	hp	m³/h	l/s	cfm			FM kg	FMD kg
DRM 40	7.5	7	30	40	320	89	189	71.5	4800	589	707
	8.5	8			310	86	182				
	10	9.5			274	76	161				
DRM 50	7.5	7	37	50	396	110	233	73	4800	610	728
	8.5	8			365	102	215				
	10	9.5			342	95	201				
DRM 60	7.5	7	45	60	454	126	267	74.5	6700	629	747
	8.5	8			436	121	256				
	10	9.5			400	111	235				

## Variable speed

Model	Min. working pressure bar	Max. working pressure bar	Motor Power		Free Air Delivery @ reference conditions				Noise Level dB(A)	Cooling Air flow m³/h	Weight	
			kW	hp	Min.FAD*	Max. FAD*					FM kg	FMD kg
					7 bar m³/h l/s cfm	7 bar m³/h l/s cfm	8 bar m³/h l/s cfm	9,5 bar m³/h l/s cfm				
DRM 40 IVR	4	10	30	40	85	318	306	274	71.5	4800	605	723
					24	88	85	76				
					50	187	180	161				
DRM 50 IVR	4	10	37	50	109	401	370	343	73	4800	626	744
					30	111	103	95				
					64	236	218	202				
DRM 60 IVR	4	10	45	60	110	447	434	404	74.5	6700	656	774
					31	124	121	112				
					65	263	255	238				

\*400 V 50Hz - IEC - CE

# DRM 40 - 60

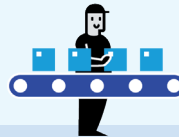
## DRM 40 - 60 IVR

Your production relies on compressed air, so you know the value of a compressor you can always count on. The DRM was built to be your no-hassle, zero-frustration work floor companion. While typically compressors in this segment are belt-driven, our newest oil-injected rotary screw compressor comes with a direct gear transmission. That means no belts to tension, maintain and replace. The DRM also features an advanced controller with integrated connectivity to easily manage and monitor your compressed air system. The result: reliability, ease-of-use and limited maintenance from the very first moment you commission your new DRM.



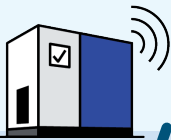
### 1. Simple installation, easy to use

- Plug-and-play installation
- No special foundation required
- Small footprint
- Ready-to-use, integrated dryer
- Intuitive controller



### 2. Increased productivity, reliable operations

- No downtime for belt tensioning or replacement
- Quiet and smooth gear transmission
- Low noise level
- High-capacity oil/air coolers and perfect air filtration ensure a long lifetime
- Unbeatable performance with heavy-duty IP55 motors



### 3. Connectivity for performance and reliability

- Remote connectivity, anywhere, any time
- Notifications and shutdown alarms eliminate risk of downtime
- Increased reliability with planned service interventions
- Cost optimization advice



### 4. Advanced cost savings

- 3% savings versus traditional belt-driven transmissions
- IE3 motor as standard
- Variable Speed version available for 35% energy savings



### 5. Less maintenance, no-hassle service

- Easy access to service components
- Quick oil level check through front panel gauge
- Service becomes a one-person job
- Service plans tailored to your needs





Contact your local representative:

[www.ceccato.com](http://www.ceccato.com)



ORIGINAL PART

#### CARE

Care is what service is all about: professional service by knowledgeable people, using high-quality original parts.

#### TRUST

Trust is earned by delivering on our promises of reliable, uninterrupted performance and long equipment lifetime.

#### EFFICIENCY

Equipment efficiency is ensured by regular maintenance. Efficiency of the service organization is how Original Parts and Service make the difference.

© 2020, Ceccato. All rights reserved. All mentioned brands, product names, company names, trademarks and service marks are the properties of their respective owners. Our products are constantly being developed and improved. We thus reserve the right to modify product specifications without prior notice. Pictures are not contractually binding.



**Tehnogama d.o.o. Šimanovci**, Dečka 157,  
22310 Šimanovci, Republika Srbija

**Tel.** +381 (0) 22 215 23 01

**E-mail** [office@tehnogama.com](mailto:office@tehnogama.com)  
**Web** [www.tehnogama.com](http://www.tehnogama.com)



**Tehnogama d.o.o. Nikšić**, Bul. 13. Jul bb,  
81403 Nikšić, Republika Crna Gora

**Tel.** +382 (0) 40 251 105  
**Fax.** +382 (0) 40 251 199

**E-mail** [office.nk@tehnogama.com](mailto:office.nk@tehnogama.com)  
**Web** [www.tehnogama.com](http://www.tehnogama.com)



**TEHNOGAMA SUPPORT SRBIJA**  
**Telefon 24/7: +381 (0) 22 215 23 02**

